

# CX-49G

## SMD

### Features

- It is a 4.5mm high, compact, crystal unit for surface mounting.
- It is able to cope by means of a metal case and completely sealed high resolution characteristics.
- Copes with high density mounting and is optimum for mass production models.



### Specifications

| Type   | CX-49G  |
|--|---|
| Frequency Range                                    | 3.2~54MHz   |
| Standard Frequency                                 | Table 1   |
| Frequency Tolerance (at 25°C)                      | ±15, ±30, ±50×10 <sup>-6</sup>  |
| Frequency Tolerance Over the Operating Temp. Range | ±15, ±30, ±50×10 <sup>-6</sup><br>(referred to 25°C)                    |
| Operating Temp. Range                              | -10~+70°C   |
| Storage Temp. Range                                | 40~+85°C  |
| Load Capacitance                                   | 3.2~9.999MHz 16pF<br>4.194303MHz 11.5pF<br>7.2MHz 10pF<br>10~54MHz 12pF |
| Equivalent Series Resistance                       | Table 1<br>(3rd O.T. 150Ω)  |

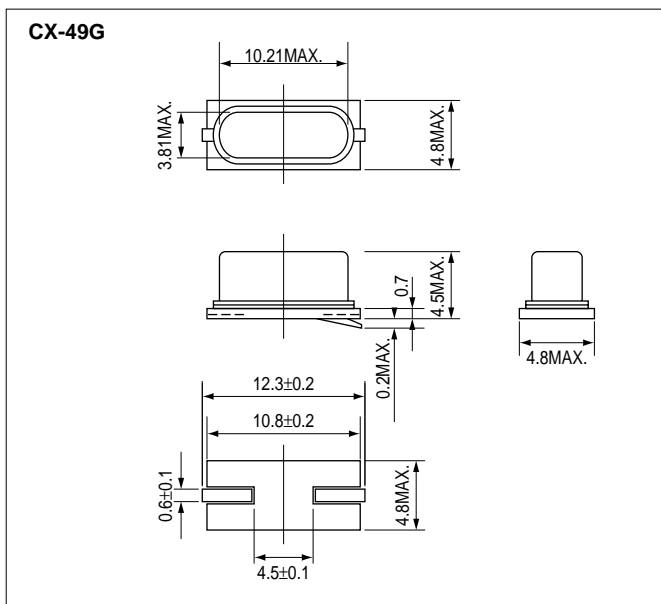
\* Taping item packaging : one unit 1,000 pcs

### Table 1 Standard Frequencies

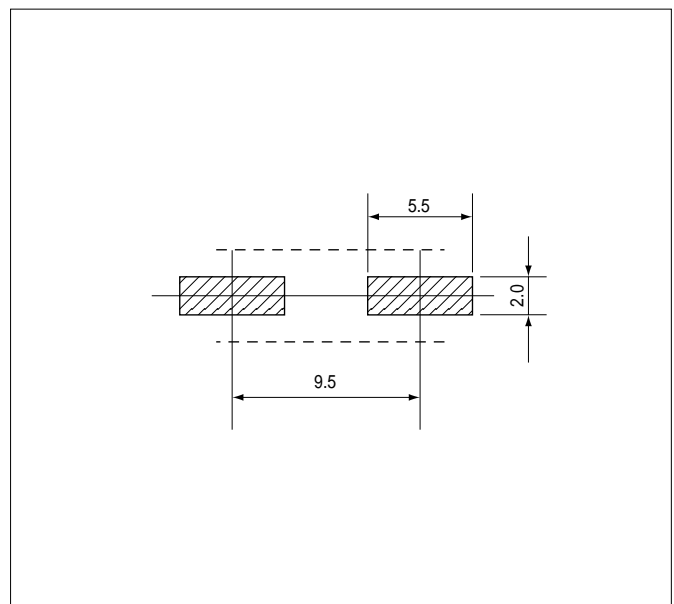
| Frequency (MHz) | Equivalent Series Resistance (ΩMAX.) | Frequency (MHz) | Equivalent Series Resistance (ΩMAX.) |
|-----------------|--------------------------------------|-----------------|--------------------------------------|
| 3.2000          | 300                                  | 10.240          | 90                                   |
| 3.579545        | 150                                  | 10.738635       | 90                                   |
| 3.6864          | 150                                  | 11.000          | 90                                   |
| 4.000           | 150                                  | 11.0592         | 90                                   |
| 4.194304        | 120                                  | 12.000          | 70                                   |
| 4.332           | 120                                  | 12.288          | 70                                   |
| 4.433619        | 120                                  | 13.500          | 50                                   |
| 4.500           | 120                                  | 14.31818        | 50                                   |
| 4.9152          | 100                                  | 16.000          | 50                                   |
| 6.000           | 90                                   | 16.9344         | 50                                   |
| 6.144           | 90                                   | 17.734476       | 50                                   |
| 7.200           | 90                                   | 20.000          | 50                                   |
| 7.3728          | 90                                   | 21.47727        | 50                                   |
| 8.000           | 90                                   | 24.000          | 50                                   |
| 8.4872          | 90                                   | 24.576          | 50                                   |
| 9.8304          | 90                                   | 27.000          | 50                                   |
| 10.000          | 90                                   |                 |                                      |

\* Please inquire about frequencies other than the above.

### Outline



### Land Pattern(reference)



Dimensions(mm)